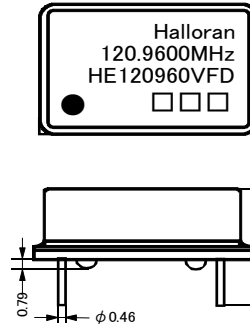


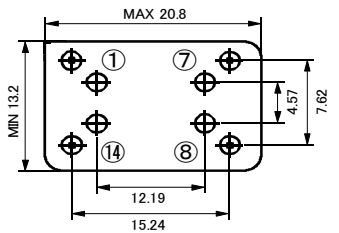
Specification: HE120960VFD		
1	Package	Full Size
2	Type	VCXO (No Tristate)
3	Frequency	120.9600 MHz
4	Stability	± 30 ppm max/ $0 \sim +70$ °C
5	Voltage	$+5.0$ v $\pm 5\%$
6	Symmetry	40 % to 60 % (at $1/2 V_{CC}$) CMOS (15 pF)
7	Pullability	± 50 ppm min/ 2.5 ± 2.0 v
	Note:	Fundamental

外形寸法 Dimensions



接続端子 Pin Connections

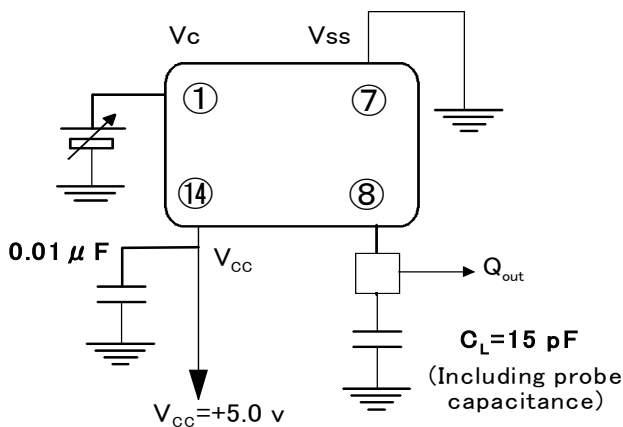
①	V _c
⑦	GND (V _{ss})
⑧	OUTPUT
⑭	+5.0V (V _{cc})



Full Size VCXO測定回路

CMOS出力

$V_{DD} = +5.0$ v
 $C_L = 15$ pF



接続端子 Pin Connections

①	V _c
⑦	GND (V _{ss})
⑧	OUTPUT
⑭	V _{DD} : +5.0 v

出力波形

