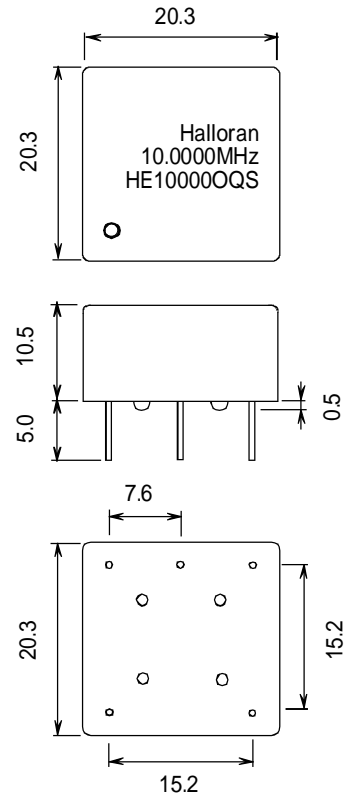


1	Specification:	HE10000QQS
2	Package	20.3 x 20.3 x 10.5
3	Type	OCXO
4	Frequency	10.0000 MHz
5	Initial Cal. Tolerance	± 0.5 ppm max @+25 $\sqrt{V_C=+2.5}$ v
	Stability	± 0.02 ppm max/-10 ~ +70
	Voltage Stability	± 0.02 ppm max/ ± 5 % change
	Load Stability	± 0.02 ppm max/ ± 5 % change
	Aging	± 0.005 ppm max/day
6	V _{CC}	+12.0 v ± 0.5 v
7	Warm-up Time	3 min max to within ± 0.5 ppm of nominal frequency
8	Frequency Deviation Range	± 5 ppm min/ $V_C=+2.5$ v ± 2.0 v Positive Increase
	Input Impedance	100 k Ohm min
6	Power Consumption	200 mA max steady state 500 mA max at turn on
10	Output	+3 dBm typ., +8 dBm max. into 50 Ohm load
11	Harmonics	-30 dBc min
	Spurious	-75 dBc min.
12	Phase Noise	
	1 Hz	-75 dBc/Hz
	10 Hz	-100 dBc/Hz
	100Hz	-130 dBc/Hz
	1 kHz	-140 dBc/Hz
	10 kHz	-150 dBc/Hz
13	Other	NOT RoHS Compliant



Pin Layout	
	V _{CC}
	Output
	Ground/ Case
	V _C
	Ref. Volt. Out

