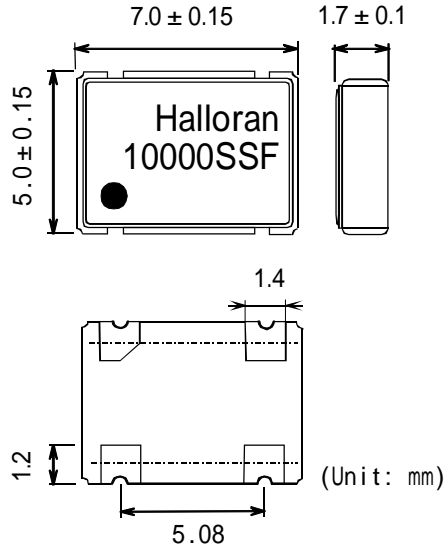


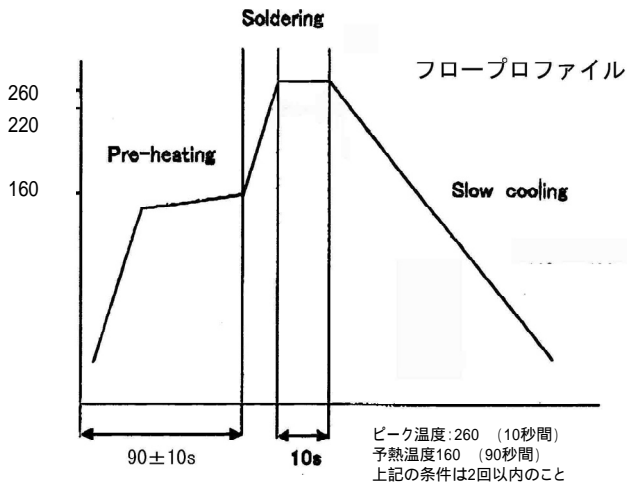
Specification: HE1000SSF		
1	Package	SMD (7 mm x 5 mm x 1.7 mm)
2	Type	SPXO (With Tristate)
3	Frequency	10.0000 MHz
4	Stability	±50 ppm max/0 ~ +70
5	Voltage	+1.8 v ± 5 %
6	Symmetry	40 % to 60 %
		CMOS (15 pF)
7	Pullability	NA
	Note:	RoHS Compliant

外形寸法 Dimensions

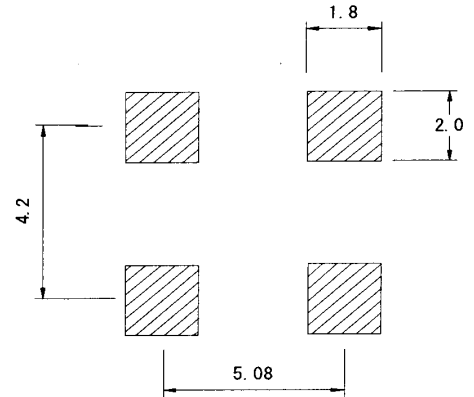


接続端子 Pin Connections

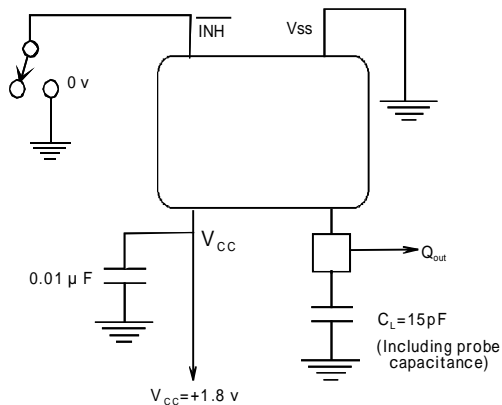
	INH
	GND (V _{SS})
	Output
	+1.8 v (V _{CC})



Recommended Land Pattern



端子説明
 H or OpenでOutput端子に所定の周波数出力
 Lで発振停止、Output端子はハイインピーダンス



出力波形

