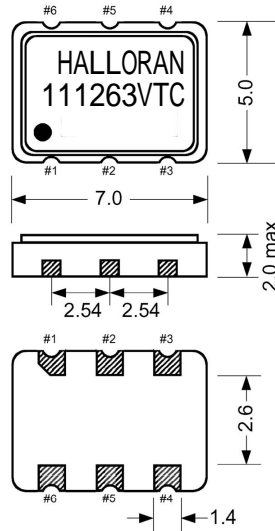


Specification: HE111263VTC		
1	Package	SMD (7 mm x 5 mm x 1.7 mm)
2	Type	VCXO (With Tristate)
3	Frequency	111.263736 MHz
4	Stability	±30 ppm max/0 ~ +70
5	Voltage	+3.3 v ± 10 %
6	Symmetry	40% to 60% (1/2 V <sub>DD</sub> ) CMOS (15 pF)
7	Pullbility	±80 ppm min/1.65 v ±1.65 v
	Note:	RoHS Compliant Fundamental



### 外形寸法 Dimensions

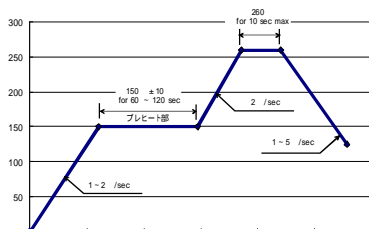
### 接続端子

Pin Connections	
	V <sub>c</sub>
	En/Disable
	GND
	Output
	NC
	V <sub>DD</sub>

## 測定回路SMD VCXO

### 推奨半田付け条件

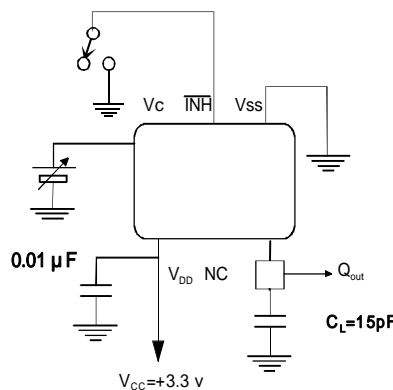
Recommended Reflow Soldering Condition



### CMOS出力

V<sub>CC</sub>=+3.3 v  
C<sub>L</sub>=15 pF

### 出力波形



### 接続端子 Pin Connections

Pin Connections	
	V <sub>c</sub>
	En/Disable
	GND
	Output
	NC
	V <sub>CC</sub>

