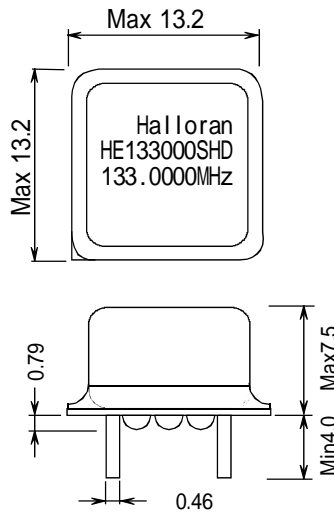


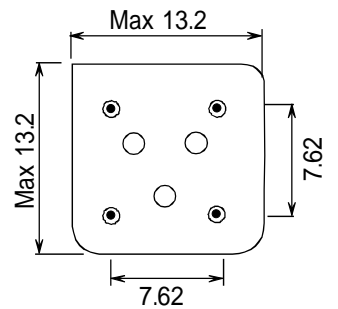
Specification: HE133000SHD		
1	Package	Half Size
2	Type	SPXO (No Tristate)
3	Frequency	133.0000 MHz
4	Stability	± 100 ppm max / -20 ~ +70
5	Voltage	+3.3 v \pm 10 %
6	Symmetry	40 % to 60 % (at 1/2 V_{DD})
		CMOS (15 pF)
7	Pullability	Not Applicable
	Note:	HE133000SSC RoHS Compliant

外形寸法 Dimensions



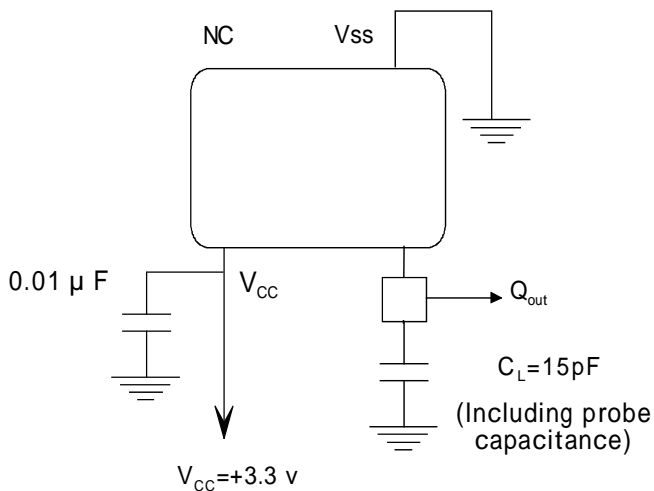
接続端子 Pin Connections

	NC
	GND (V_{SS})
	Output
	+3.3 (V_{CC})



Bottom View

測定回路 Measurement Circuit



出力波形 Output Waveform

