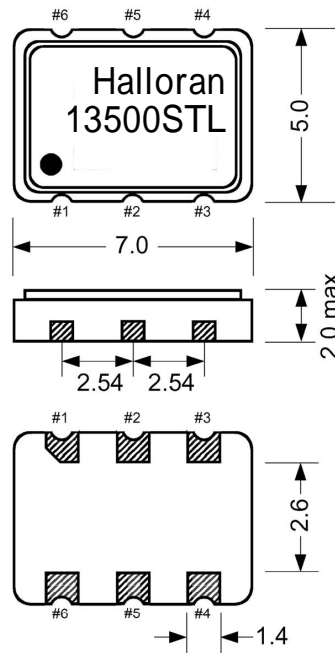


Specification: 13500STL		
1	Package	SMD (7 mm x 5 mm x 1.7 mm)
2	Type	SPXO (With Tristate)
3	Frequency	13.5000 MHz
4	Stability	±50 ppm max/0 ~ +70
5	Voltage	+2.5 v ± 5 %
6	Current	20 mA max
7	Output Signal	LVDS
	V_{OH}	1.43 v (Typ)
	V_{OL}	1.10 v (Typ)
8	Output load	100 (Offset 1.25 v Typ)
9	Rise and Fall	0.4 nsec max
10	Symmetry	45% to 55%
11	Jitter	0.3 ps typ
	Note:	RoHS Compliant

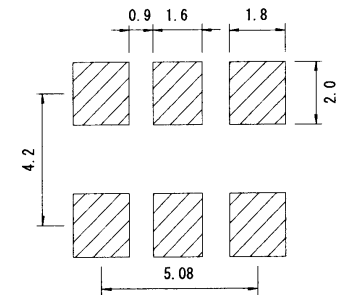


外形寸法 Dimensions

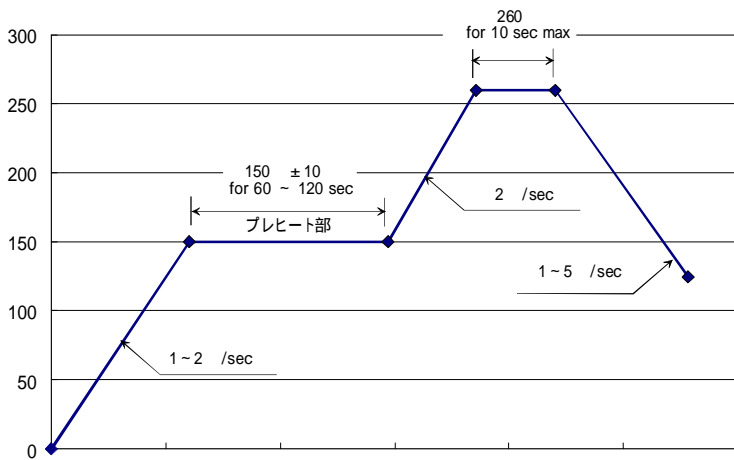
接続端子

Pin Connections	
	En/Disable
	NC
	Vss
	Output
	Output
	Vcc

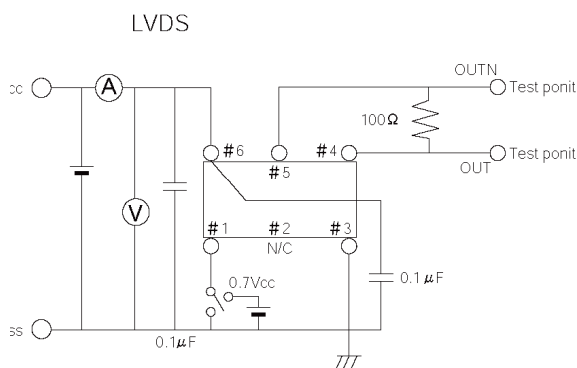
Land Pattern Layout (Example)



input pin #1	output pin #4 #5
open or 70 % V_{CC} min	RF-signal
GND or 30 % V_{CC} max	HI-Z
Enable Phase Delay time 2 ms max	
Disable Phase Delay Time 200 ns max	



Test Circuit



Output Waveform

