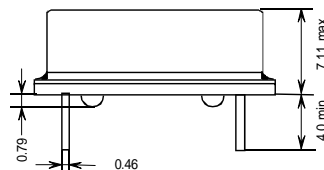
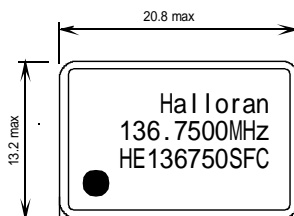


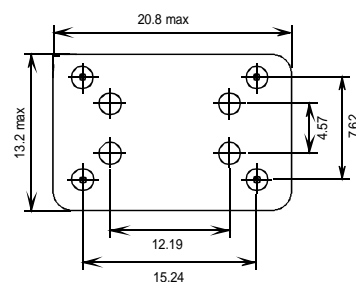
Specification: HE136750SFC		
1	Package	Full Size
2	Type	SPXO (No Tristate)
3	Frequency	136.7500 MHz
4	Stability	±15 ppm max/-10 ~ +85
5	Voltage	+3.3 v ± 5 %
6	Symmetry	CMOS (15 pF) 40 % ~ 60 %
7	Pullability	(Not Applicable)
	Note:	3 rd O.T.

### 外形寸法 Dimensions

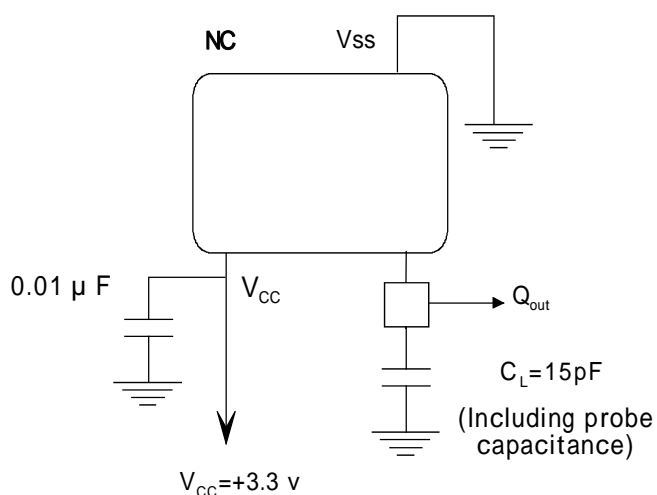


### 接続端子 Pin Connections

	NC
	GND
	Output
	V <sub>CC</sub>



### 測定回路 Measurement Circuit



### 出力波形 Output Waveform

