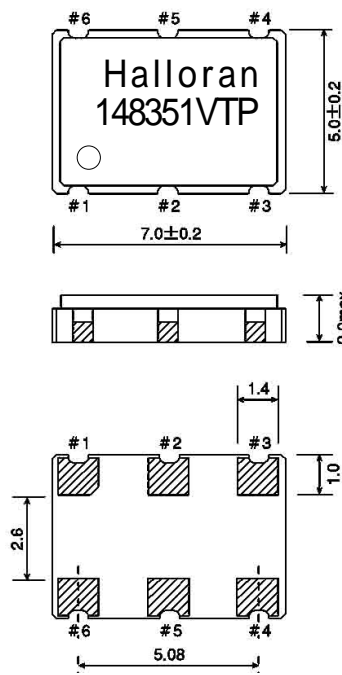


Specification: HE148351VTP		
1	Package	SMD (7 mm x 5 mm x 1.7 mm)
2	Type	VCXO (With Tristate)
3	Frequency	148.351648 MH
4	Stability	±50 ppm max/0 ~ +70
5	Voltage	+3.3 v ± 5 %
6	Current	50 mA typ
7	Output Signal	LV-PECL
	V _{OH}	2.275 v min
	V _{OL}	1.680 v max
8	Output load	50 (V _{CC} -2.0 v)
9	Pullability	±100 ppm min
10	Rise and Fall	1 nsec max
11	Symmetry	45% to 55%
12	Jitter (RMS Jitter, 12 kHz to 20 MHz Band)	1 ps max
	Note:	RoHS Compliant



外形寸法
Dimensions

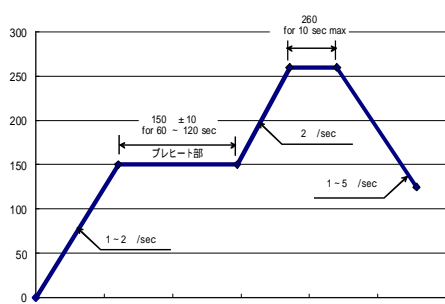
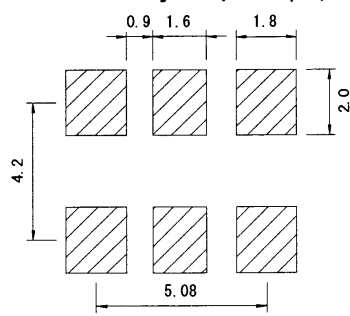
接続端子

Pin Connections	
	V _c
	En/Disable
	V _{ss}
	Output
	Output
	V _{CC}

推奨半田付け条件

Recommended Reflow Soldering Condition

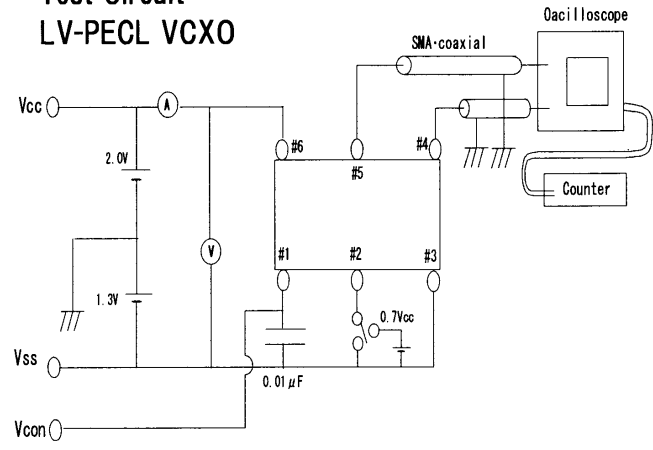
Land Pattern Layout (Example)



Enable-disable

input pin #2	output pin #4 #5
70 % V _{CC} min or open	RF-signal
30 % max or GND	HI-Z
Enable Delay Time: 200 ns max	
Disable Delay Time 200 ns max	

Test Circuit LV-PECL VCXO



Output Waveform

