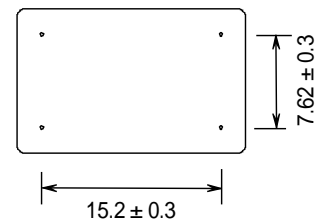
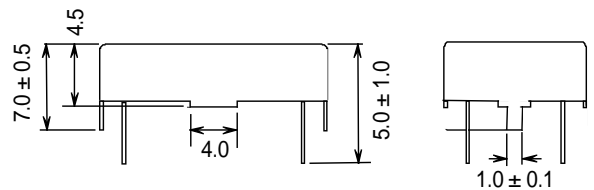
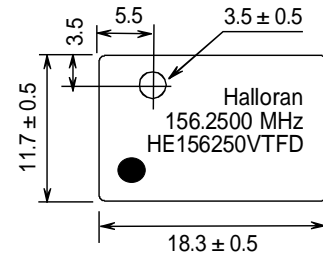


Specification: HE156250VTFD		
1	Package	Full Size (14 pin Dip)
2	Type	VC-TCXO (Without Tristate)
3	Frequency	156.2500 MHz
4	Voltage	+3.3 v \pm 5 %
5	Power Consumption	mA max
6	Stability	\pm 0.5 ppm max/0 ~ +70 and \pm 0.5 ppm max/+3.3 v \pm 5 %
	Load Stability	\pm 0.2 ppm max @ 10 k Ω //15 pF \pm 10 %
7	Frequency Adjustment	\pm 3.0 ppm min by External Trimmer
8	Pullability	\pm 5 ppm min/+1.65 v \pm 1.5 v
9	Aging	\pm 1.0 ppm max/year
10	Symmetry	45% to 55%
11	Output	CMOS (15 pF)
12	Phase Noise	-120 dBc/Hz max @1 kHz typical
	Note	RoHS Compliant, Crystal Frequency: 1/8

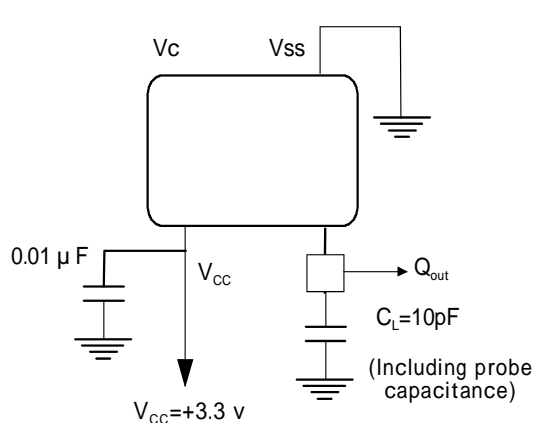
外形寸法 Dimensions



接続端子 Pin Connections

Pin Connections	
	Vc
	GND
	Output
	Vcc (+3.3 v)

測定回路 CMOS出力



$V_{CC}=3.3\text{ v}$
 $C_L=15\text{ pF}$

Pin Connections	
	Vc
	GND
	Output
	Vcc (+3.3 v)

出力波形

