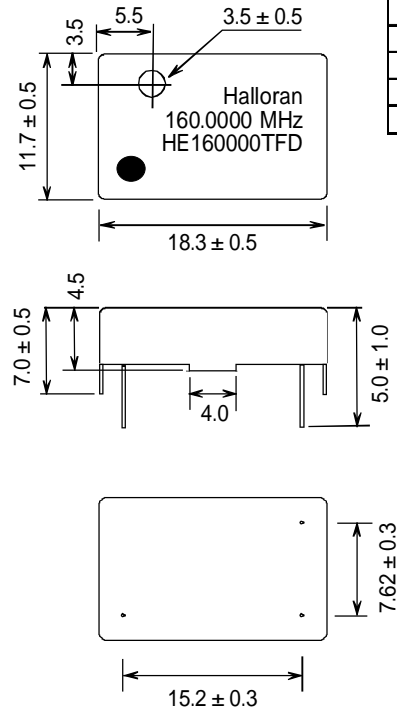


Specification: HE16000TFD		
1	Package	Full Size (14 pin Dip)
2	Type	TCXO (Without Tristate)
3	Frequency	160.0000 MHz
4	Voltage	+3.3 v $\pm$ 5 %
5	Power Consumption	40 mA max
6	Stability	$\pm$ 1.0 ppm max/0 ~ +70 and $\pm$ 0.5 ppm max/+3.3 v $\pm$ 5 %
	Load Stability	$\pm$ 0.2 ppm max @10 k $\Omega$ //15 pF $\pm$ 10 %
7	Frequency Adjustment	$\pm$ 3.0 ppm min by External Trimmer
8	Pullability	NA
9	Aging	$\pm$ 1.0 ppm max/year
10	Symmetry	45% to 55%
11	Output	CMOS (15 pF)
12	Phase Noise	
	typical	-105 dBc/Hz max@1 kHz
	Note	RoHS Compliant, Crystal Frequency: 1/8

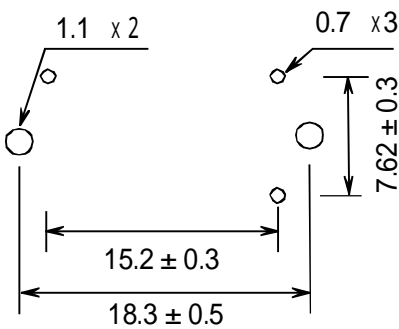
### 外形寸法 Dimensions



### 接続端子 Pin Connections

Pin Connections	
1	GND
2	Output
3	Vcc (+3.3 v)

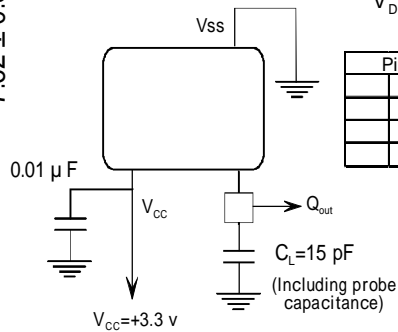
### Recommended Holes on Board



ケースは と繋がっていますが念のためアースを取って下さい。  
の足は切断して存在しません。

### CMOS出力

V<sub>DD</sub>=+3.3 v



Pin Connections	
1	GND
2	Output
3	Vcc (+3.3 v)

### 出力波形

