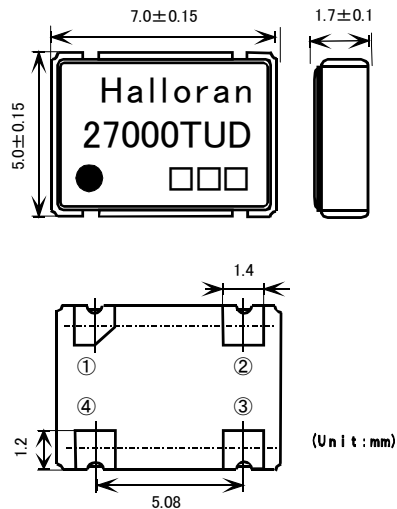


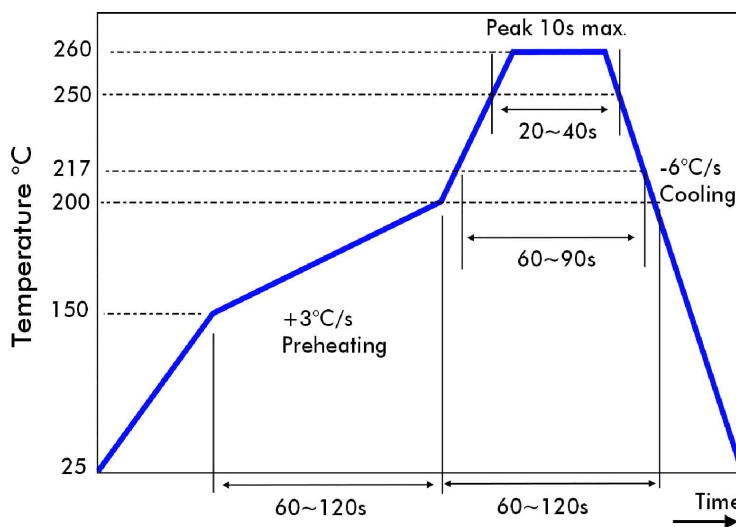
Specification: HE27000TUD		
1	Package	SMD: 7 x 5 mm
2	Type	TCXO (Without Tristate)
3	Frequency	27.0000 MHz
4	Voltage	+3.3 v $\pm$ 5 %
5	Power Consumption	20 mA max
6	Stability	$\pm$ 2.5 ppm max/0~+70°C $\pm$ 0.3 ppm max/+3.3 v $\pm$ 5 %
	Load Stability	$\pm$ 0.3 ppm max/15 pF $\pm$ 10 %
10	Aging	$\pm$ 1.0 ppm max/year
11	Symmetry	40 % to 60 %
12	Output	CMOS (15 pF)
13	Phase Noise	-125 dBc/Hz max @1 kHz typical
	Note	RoHS Compliant, Fundamental Crystal

### ■ 外形寸法 Dimensions

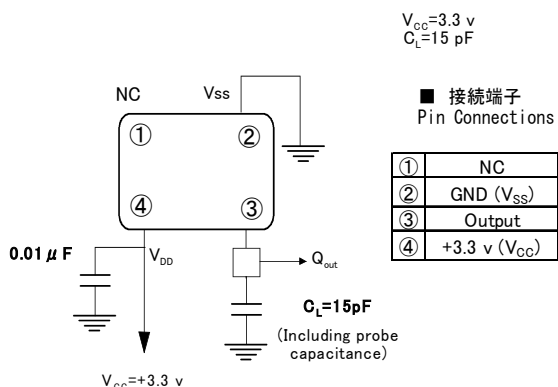


### ■ 接続端子 Pin Connections

①	NC
②	GND ( $V_{SS}$ )
③	Output
④	+3.3 v ( $V_{CC}$ )



### 測定回路 CMOS出力



### 出力波形

