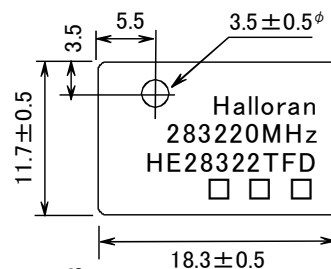


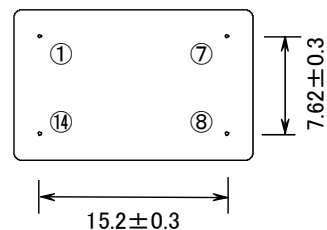
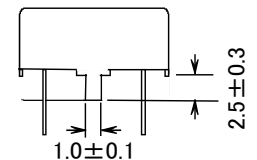
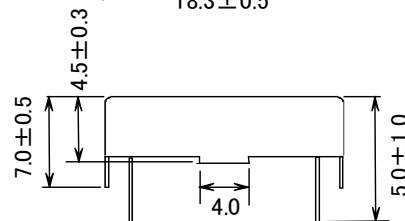
■ 外形寸法
Dimensions

■ 接続端子
Pin Connections

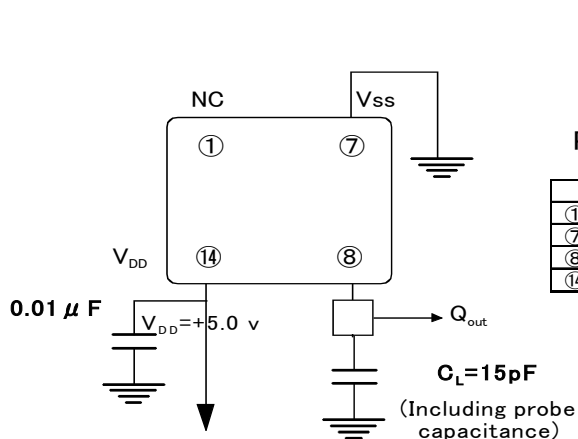
Specification: HE28322TFD		
1	Package	Full Size (14 pin Dip)
2	Type	TCXO (Without Tristate)
3	Frequency	28.3220 MHz
4	Stability:	±2.5 ppm max/0~+55°C
	Aging	±1.0 ppm max/year
5	Voltage	+5.0 v±5%
6	Mechanical Trimmer	±3 ppm min
7	Symmetry	45% to 55%
8	Output	CMOS (15 pF)
	Phase Noise	100 Hz: <-130 dBc/Hz
9	Note	Fundamental



Pin Connections	
①	Vc
⑦	GND
⑧	Output
⑭	Vcc (+5.0 v)



測定回路 CMOS出力



$V_{DD}=5.0\text{ v}$
 $C_L=15\text{ pF}$

■ 接続端子
Pin Connections

Pin Connections	
①	NC
⑦	GND
⑧	Output
⑭	Vcc (+5.0 v)

出力波形

