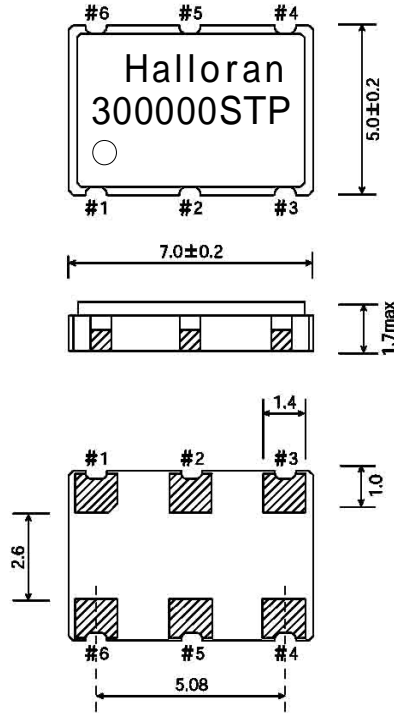


Specification: <b>H300000STP</b>		
1	Package	SMD (7 mm x 5 mm x 1.7 mm)
2	Type	SPXO (With Tristate)
3	Frequency	300.0000 MHz
4	Stability	±50 ppm max/0 ~ +70
5	Voltage	+3.3 v ± 5 %
6	Current	88 mA max
7	Output Signal	
	V <sub>OH</sub>	Vdd -1.02 v
	V <sub>OL</sub>	Vdd -1.63 v
8	Output load	50 (Vdd-2.0 v)
9	Rise and Fall	0.7 nsec max
10	Symmetry	45% to 55%
11	Jitter	1 ps
	Note:	RoHS Compliant

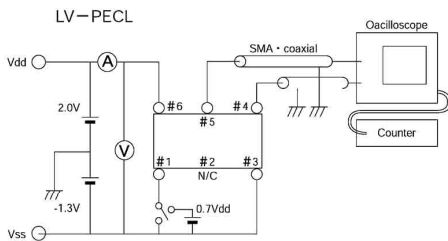


外形寸法  
Dimensions

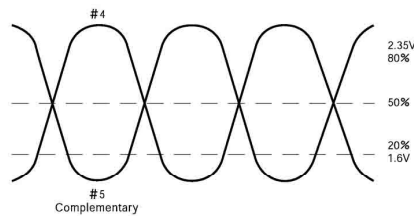
接続端子

Pin Connections	
	En/Disable
	NC
	Vss
	Output
	Output
	Vdd

Test Circuit



Output Waveform



Enable-disable

input pin #1	output pin #4 #5
70 % V <sub>CC</sub> min or open	RF-signal
30 % V <sub>CC</sub> max or GND	HI-Z
Enable Phase Delay time 2 ms max Disable Phase Delay Time 200 ns max	