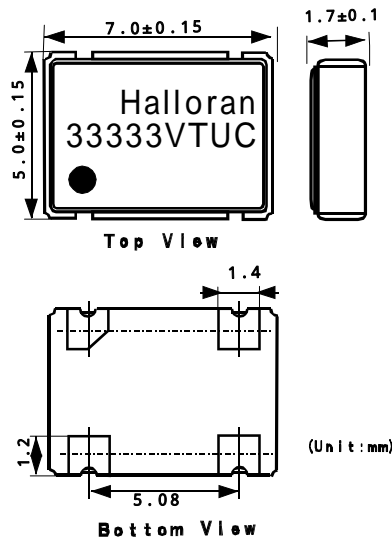


Specification: HE33333VTUC		
1	Package	SMD: 7.0 mm x 5.0 mm
2	Type	VC-TCXO (Without Tristate)
3	Frequency	33.333333 MHz
4	Voltage	+3.0 v $\pm$ 5 %
5	Power Consumption	30 mA max
6	Stability	$\pm$ 2.5 ppm max/-20 ~ +70 and
		$\pm$ 2.0 ppm max @ +25
		Voltage Load $\pm$ 0.3 ppm max/+3.0 v $\pm$ 5 %
8	Pullability	$\pm$ 10 ppm min/+1.5 v $\pm$ 1.0 v
	Mechanical Trimer	NA
9	When Delivered	$\pm$ 0.5 ppm max/ V <sub>cc</sub> :+3.0 v, V <sub>c</sub> :1.5 v, +25 $\pm$ 2
10	Aging	$\pm$ 1.0 ppm max/year
12	Symmetry	40% ~ 60%
		CMOS (15pF)
13	Phase Noise	-100 ~ -110 dBc/Hz max @1 kHz typical
	Note	RoHS Compliant

### 外形寸法 Dimensions

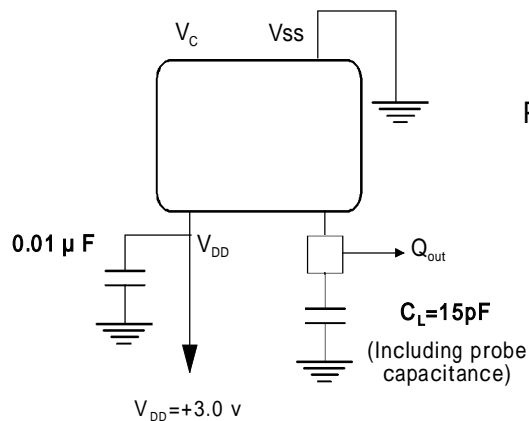


### 接続端子 Pin Connections

	V <sub>C</sub>
	GND (V <sub>SS</sub> )
	Output
	+3.0 v (V <sub>DD</sub> )

## VC-TCXO測定回路

### CMOS出力



V<sub>DD</sub>=+3.0 v  
C<sub>L</sub>=15 pF

接続端子  
Pin Connections

	V <sub>C</sub>
	GND (V <sub>SS</sub> )
	OUTPUT
	+3.0 v (V <sub>DD</sub> )

