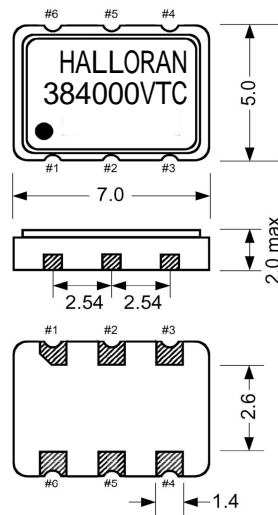


Specification: HE384000VTC		
1	Package	SMD (7 mm x 5 mm x 1.7 mm)
2	Type	VCXO (With Tristate)
3	Frequency	384.0000MHz
4	Stability	± 25 ppm max/0 ~ +70
5	Voltage	+3.3 v ± 10 %
6	Symmetry	40% to 60% (1/2 V_{DD}) CMOS (15 pF)
7	Pullbility	± 50 ppm min/1.65 v ± 1.65 v
	Note:	RoHS Compliant Jitter: 4.3 ps Typical $f_0=1/16$ (24 MHz)

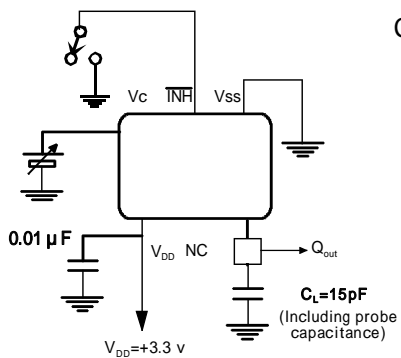


外形寸法 Dimensions

接続端子

Pin Connections	
	V _c
	En/Disable
	GND
	Output
	NC
	V _{DD}

測定回路SMDVCXO



CMOS出力

V_{DD}=+3.3 v
C_L=15 pF

接続端子
Pin Connections

出力波形

