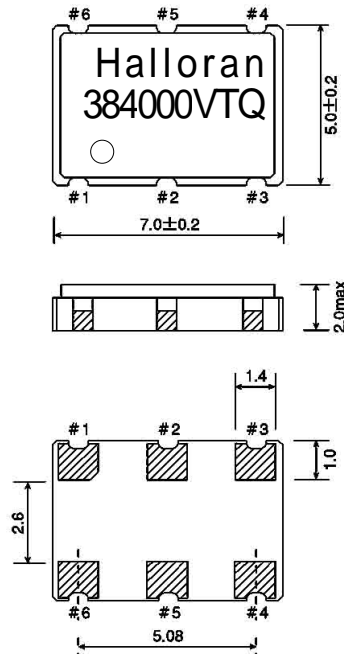


Specification: HE384000VTQ		
1	Package	SMD (7 mm x 5 mm x 1.7 mm)
2	Type	VCXO (With Tristate)
3	Frequency	384.0000 MHz
4	Stability	±25 ppm max/0 ~ +70
5	Voltage	+3.3 v ± 5 %
6	Current	100 mA max
7	Output Signal	LV-PECL
	V_{OH}	$V_{dd} - 1.02 \text{ v}$
	V_{OL}	$V_{dd} - 1.63 \text{ v}$
8	Output load	50 ($V_{dd} - 2.0 \text{ v}$)
9	Pullability	±50 ppm min
10	Rise and Fall	1.5 nsec max
11	Symmetry	45% to 55%
12	Jitter	6 ps (RMS 12 kHz to 20 MHz)
	Note:	RoHS Compliant, $f_0 = 24.0000 \text{ MHz}$

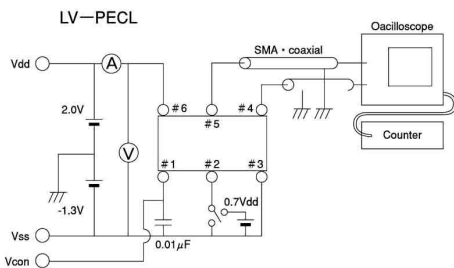


外形寸法 Dimensions

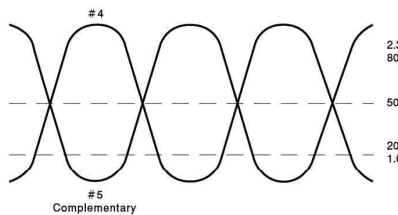
接続端子

Pin Connections	
	Vc
	En/Disable
	Vss
	Output
	Output
	Vdd

Test Circuit



Output Waveform



Enable-disable

input pin #2	output pin #4 #
2.2 v min or open	RF-signal
0.4 v max or GND	HI-Z
OE Oscillation time: 100 ns max	