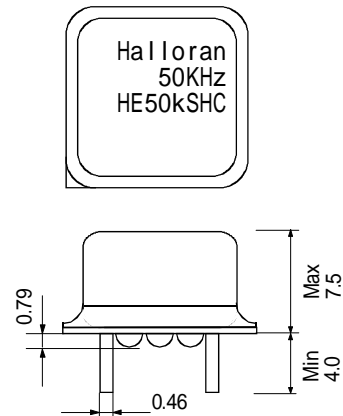
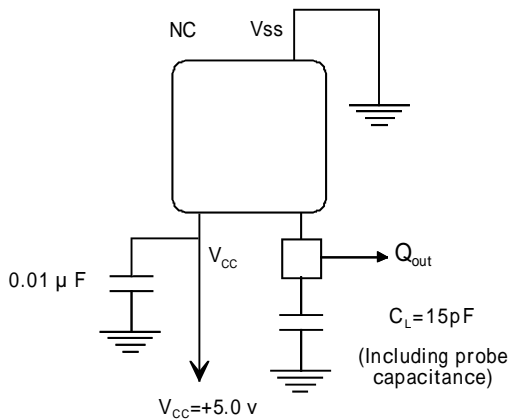
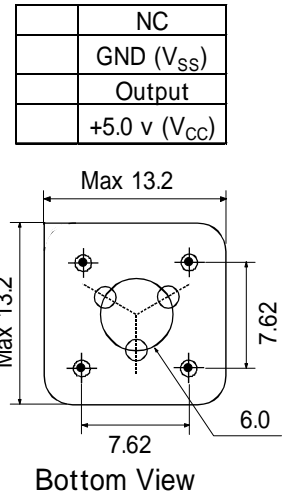


Specification: HE50kSHC		
1	Package	Half Size
2	Type	SPXO (No Tristate)
3	Frequency	50 KHz
4	Stability	± 100 ppm max/-10 ~ +70
5	Voltage	+5.0 v \pm 10 %
6	Symmetry	45 % t_0 55 % (at 1/2 V_{DD})
		CMOS (15 pF)
7	Pullability	Not Applicable
	Note:	RoHS Compliant

外形寸法 Dimensions



接続端子 Pin Connections



SPXO測定回路 Half Size

CMOS出力

$V_{CC}=+5.0$ v
 $C_L=15$ pF

接続端子 Pin Connections

	NC
	GND (V_{SS})
	Output
	+5.0 v (V_{CC})

出力波形

