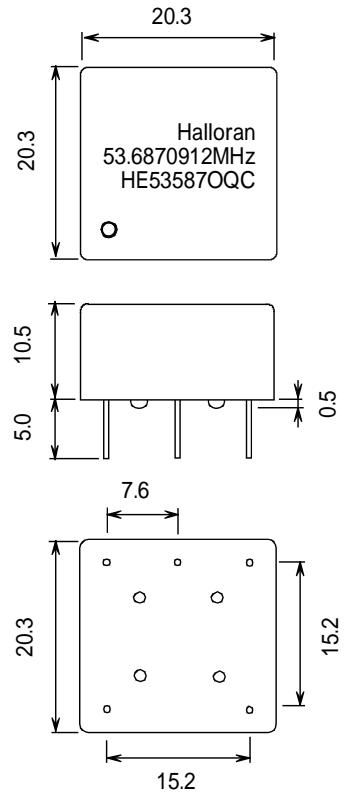
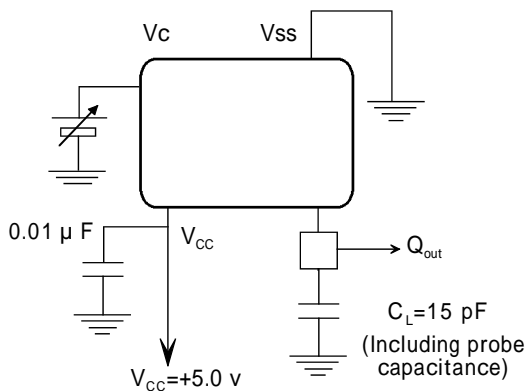


1	Specification:	HE53587OQC
2	Package	20.3 x 20.3 x 10.5
3	Type	OCXO
4	Frequency	53.6870912 MHz
5	Initial Cal. Tolerance	±0.5 ppm max @+25 /Vc=+2.5 v
	Stability	±0.01 ppm max/0 ~ +70
	Voltage Stability	±0.01 ppm max/±5 % change
	Load Stability	±0.01 ppm max/±5 % change
	Aging	±0.002 ppm max/day
6	V _{CC}	+5.0 v ±0.2 v
7	Warm-up Time	5 min max to within ±0.1 ppm of nominal frequency
8	Frequency Deviation Range	±0.8 ppm min/V _C =2.5 v±2.0 v
	Input Impedance	100 k Ohm min
6	Power Consumption	200 mA max steady state 500 mA max at turn on
10	Output	15 pF HCMOS
11	Duty Cycle	40 % ~ 60 %
12	Phase Noise	
	1 Hz	-85 dBc/Hz
	10 Hz	-120 dBc/Hz
	100Hz	-140 dBc/Hz
	1 Hz	-145 dBc/Hz
	10 kHz	-150 dBc/Hz
13	Other	NOT RoHS Compliant



Pin Layout	
	V _{CC}
	Output
	Ground/ Case
	V _C
	NC

CMOS出力



V_{CC}=+5.0 v
C_L=15 pF

出力波形

