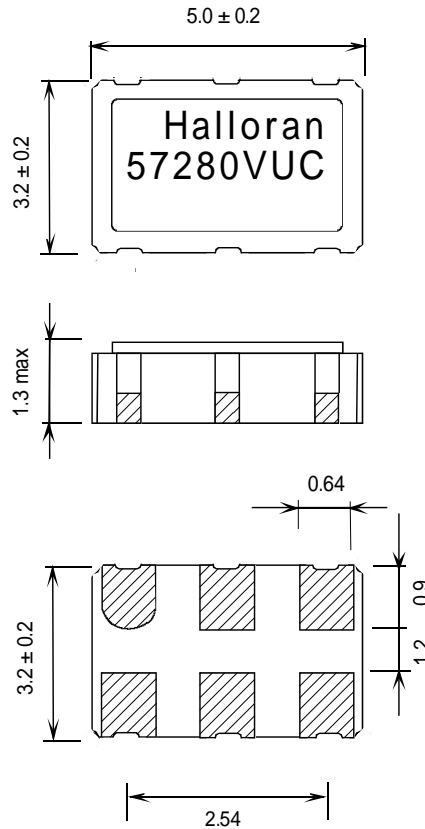


外形寸法 Dimensions

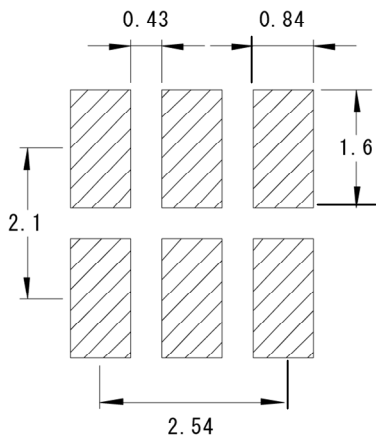


接続端子

Pin Connections	
	Vc
	En/Disable
	GND
	Output
	NC
	Vcc

Specification: HE57280VUC		
1	Package	SMD (5 mm x 3.2 mm x 1.3 mm)
2	Type	VCXO (With Tristate)
3	Frequency	57.2800 MHz
4	Stability	±30 ppm max/-20 ~ +70
5	Voltage	+3.3 v ± 5 %
6	Symmetry	45 % to 55 %
		CMOS (15 pF)
7	Pullability	± 100 ppm min/+1.65 v ± 1.65 v
	Note:	RoHS Compliant

Land Pattern Layout (Example)



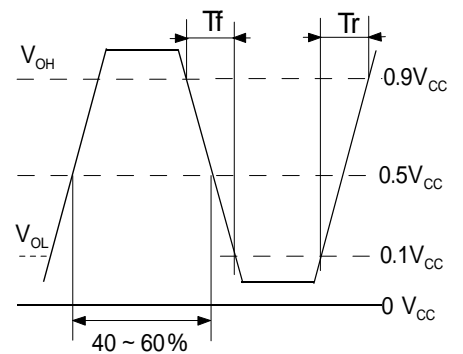
CMOS出力測定回路

$V_{CC}=+3.3\text{ v}$
 $C_L=15\text{ pF}$

Enable-disable

input	Output
H (70%Vcc min) or Open	RF-Signal
L (30% Vcc max)	High Z

出力波形



推奨半田付け条件 Recommended Reflow Soldering Condition

