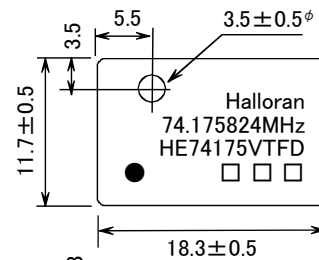


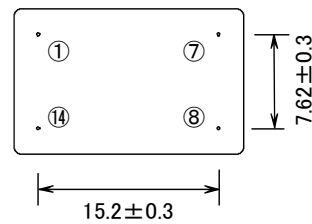
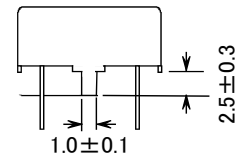
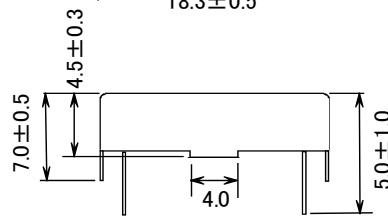
Specification: HE74175VTFD		
1	Package	Full Size (14 pin Dip)
2	Type	VC-TCXO (Without Tristate)
3	Frequency	74.175824 MHz
4	Voltage	+3.3 v \pm 5 %
5	Power Consumption	20 mA max
6	Stability	\pm 2.5 ppm max/-30 $^{\circ}$ C \sim +75 $^{\circ}$ C and \pm 0.5 ppm max/+3.3 v \pm 5 %
	Load Stability	\pm 0.2 ppm max @10 k Ω //10 pF \pm 10 %
7	Frequency Adjustment	\pm 3.0 ppm min by External Trimmer
8	Pullability	\pm 10 ppm min/+1.65 v \pm 1.5 v
9	When Delivered	\pm 0.5 ppm max/ V _{cc} :+3.3v, V _c :1.65 v, +25 $^{\circ}$ C \pm 2 $^{\circ}$ C
10	Aging	\pm 1.0 ppm max/year
11	Symmetry	45% to 55%
12	Output	CMOS (10 pF)
	Note	AFM (37.087912MHz) RoHS Compliant Phase Noise (Typical) -100dBc/Hz max@ 100Hz -133dBc/Hz max@ 1KHz -149dBc/Hz max@ 10KHz

■ 外形寸法 Dimensions

■ 接続端子 Pin Connections



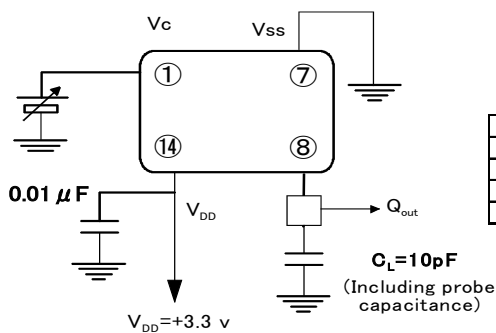
Pin Connections	
①	V _c
⑦	GND
⑧	Output
⑭	V _{cc} (+3.3 v)



CMOS出力

V_{DD}=+3.3 v

出力波形



■ 接続端子 Pin Connections

Pin Connections	
①	V _c
⑦	GND
⑧	Output
⑭	V _{cc} (+3.3 v)

