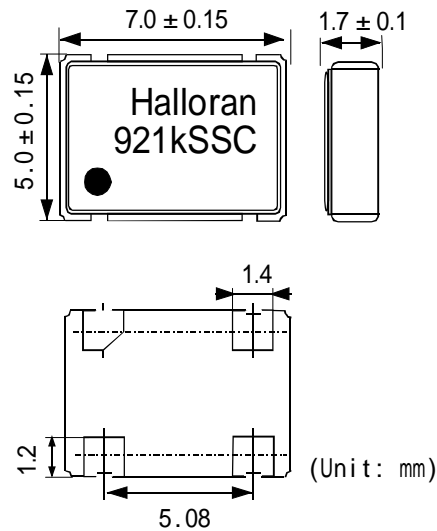


Specification: HE921kSSC		
1	Package	SMD (7 mm x 5 mm x 1.7 mm)
2	Type	SPXO (With Tristate)
3	Frequency	921.6kHz
4	Stability	±50 ppm max/0 ~ +80
5	Voltage	+3.3 v ± 5 %
6	Symmetry	40 % to 60 %
		CMOS (15 pF)
7	Pullability	NA
	Note:	RoHS Compliant

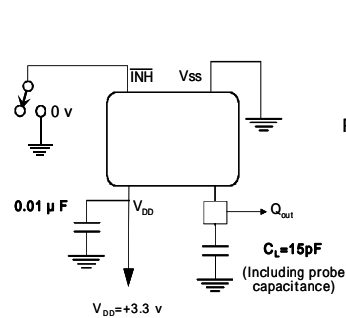
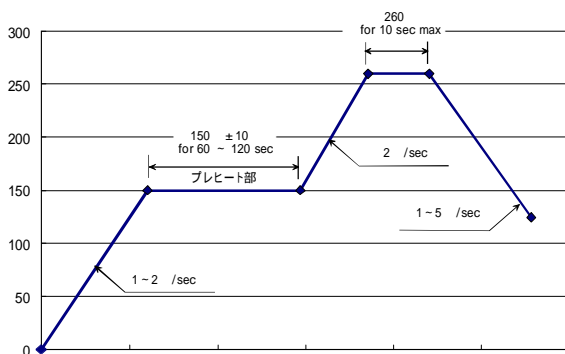
### 外形寸法 Dimensions



### 接続端子 Pin Connections

	INH
	GND (V <sub>SS</sub> )
	OUTPUT
	+3.3 v (V <sub>DD</sub> )

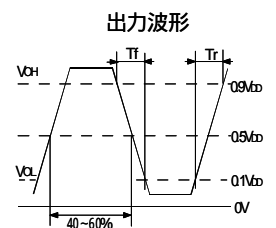
### 測定回路 CMOS出力



V<sub>DD</sub>=3.3 v  
C<sub>L</sub>=15 pF

接続端子 Pin Connections

INH
GND (V <sub>SS</sub> )
OUTPUT
+3.3 v (V <sub>DD</sub> )



Enable - disable

input pin #1	output pin #3
70 % V <sub>DD</sub> max or open	RF - Signal
30 % V <sub>DD</sub> max or GND	High - Z
OE Oscillation time: 100 ns max	