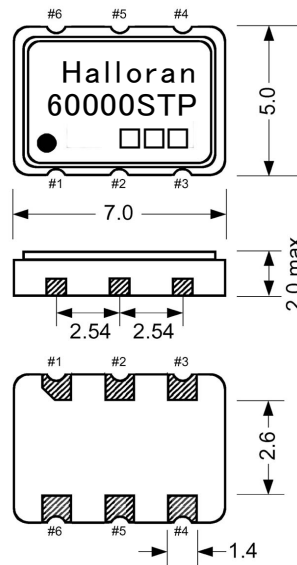


Specification: HE60000STP		
1	Package	SMD (7 mm x 5 mm x 1.7 mm)
2	Type	SPXO (With Tristate)
3	Frequency	60.0000 MHz
4	Stability	$\pm 50$ ppm max/ $0 \sim +70^\circ\text{C}$
5	Voltage	$+2.5 \text{ v} \pm 5 \%$
6	Current	50 mA max
7	Output Signal	
	$V_{OH}$	1.7 v
	$V_{OL}$	0.7 v
8	Output load	$50 \Omega$ (Vdd-2.0 v)
9	Rise and Fall	1 nsec max
10	Symmetry	40% to 60%
11	Jitter	1 ps
	Note:	



■ 外形寸法 Dimensions

■ 接続端子

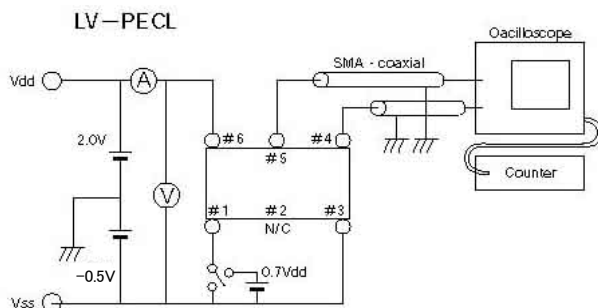
Pin Connections	
①	En/Disable
②	NC
③	Vss
④	Output
⑤	Output
⑥	Vdd

Enable—disable

input pin #1	output pin #4 #5
H or open 0.7 Vdd MIN	RF—signal
L 0.3 Vdd MAX	HI—Z

OE Oscillation time: 100ns max

Test Circuit



Output Waveform

